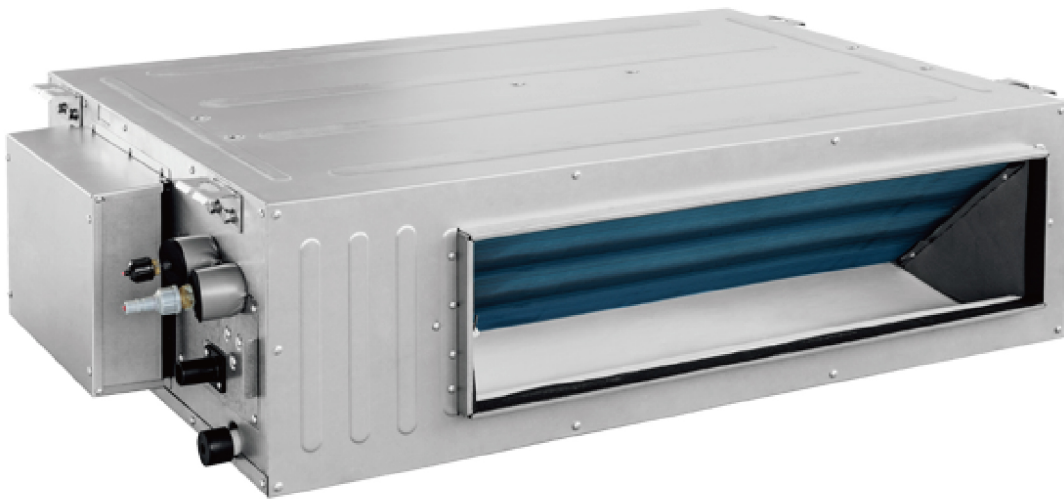


208~230V Super High ESP Fan Coil

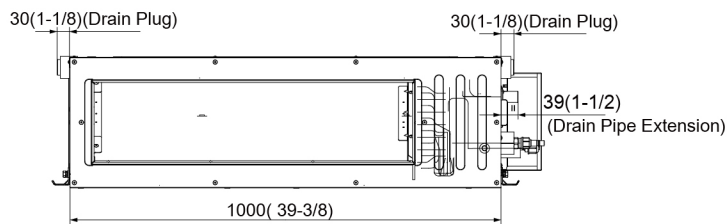
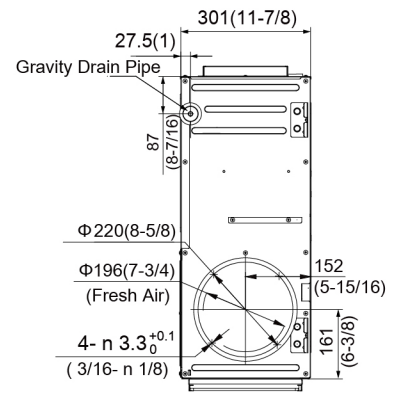
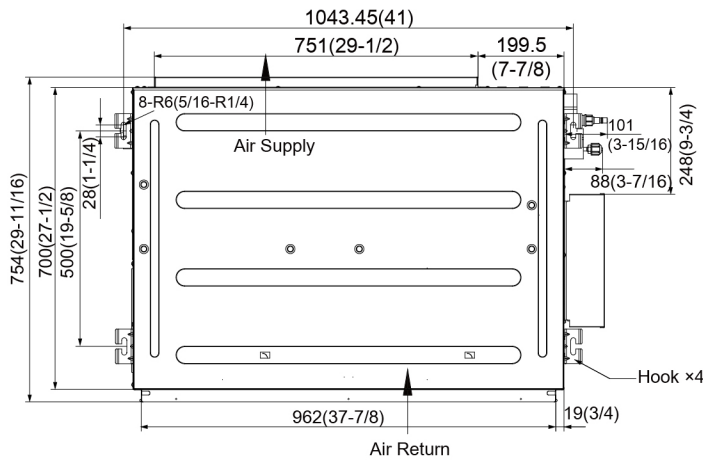
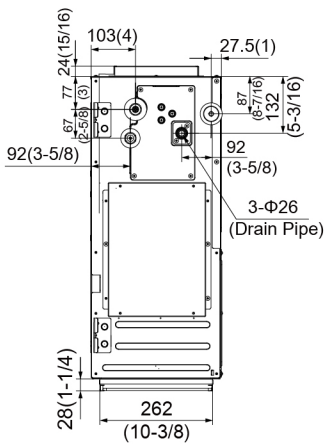
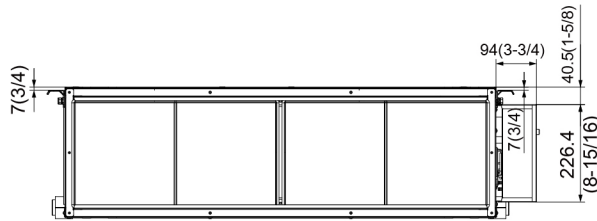
Model:GMV-ND24PHS/B-T(U)



| Specifications | Unit | Parameter |
|--------------------------------------|----------------------|--|
| Model | — | GMV-ND24PHS/B-T(U) |
| Performance | | |
| Rated Cooling Capacity | kBtu/h | 24 |
| Rated Heating Capacity | kBtu/h | 27 |
| Sound Pressure Level | dB(A) | 35/39/43 |
| Electrical Data | | |
| Power Supply | Voltage,Phase, Hertz | 208/230,1,60 |
| Maximum Overcurrent Protection (MOP) | A | 15 |
| Minimum Circuit Amps (MCA) | A | 1.2 |
| Fan | | |
| Type × Quantity | — | Centrifugal ×2 |
| Air Flow Volume | CFM | 559/617/735 |
| ESP | Pa (In.W.G) | 90/0~200 (0.36/0~0.8) |
| Fan Motor Running Current | A | 0.9 |
| Fan Motor Power Output | W | 200 |
| Refrigerant Piping | | |
| Connection Pipe | Gas(mm/inch) | Φ15.9/Φ5/8 |
| | Liquid(mm/inch) | Φ9.52/Φ3/8 |
| Connection method | — | Brazing Connection |
| Refrigerant | — | R410A |
| Dimension/Weight | | |
| Dimensions (H×W×D) | mm/inch | 300×1000×700/ (11-13/16×39-3/8×27-9/16) |
| Net Weight | kg/lbs | 42.6/94 |
| Other | | |
| Safety Certification | — | ETL |

| | | | |
|-----------------------|--|-------|--|
| Job Name: | | Date: | |
| System Reference No.: | | | |
| Engineer Signature: | | | |

Outline and Physical Dimensions of GMV-ND24PHS/B-T(U).



| Model | Gas Pipe Diameter | Liquid Pipe Diameter |
|--------------------|-------------------|----------------------|
| GMV-ND24PHS/B-T(U) | 5/8" | 3/8" |

Unit:mm(in.)

